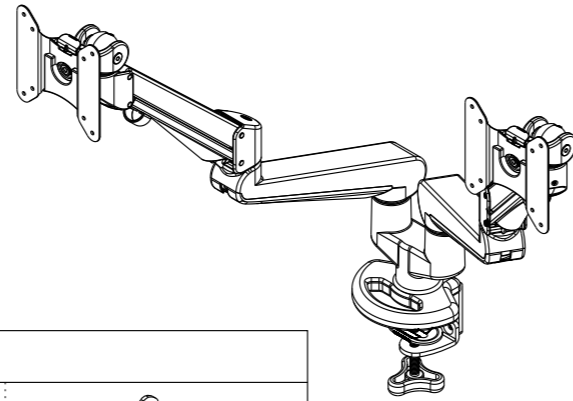
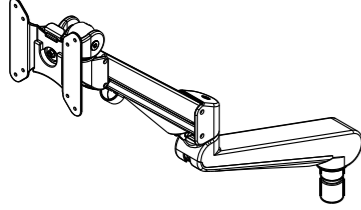


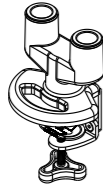



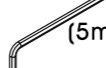
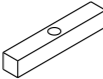


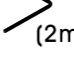




User Manual

Before assembly please spend some time reading this and follow the procedures step by step. Some panels are viewed differently from the detail drawing below. This is for extra clarity. Do not discard any of the packaging until you have checked all the parts and tools. If you are missing any of the parts, please contact your supplier.

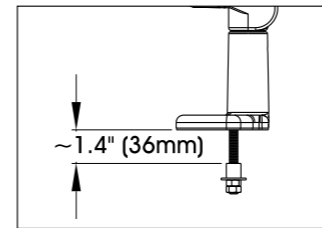


Parts and Tools Check List

	X2		X1		X1
	X1		X1		X8
			X1		X1
			X1		X1
			X1		X1
			X2		X2

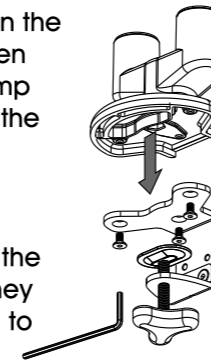
Step 1

"Grommet" assembly step(1-1)



Use 4mm allen key to loosen the 3 screws, then detach clamp mount from the arm.

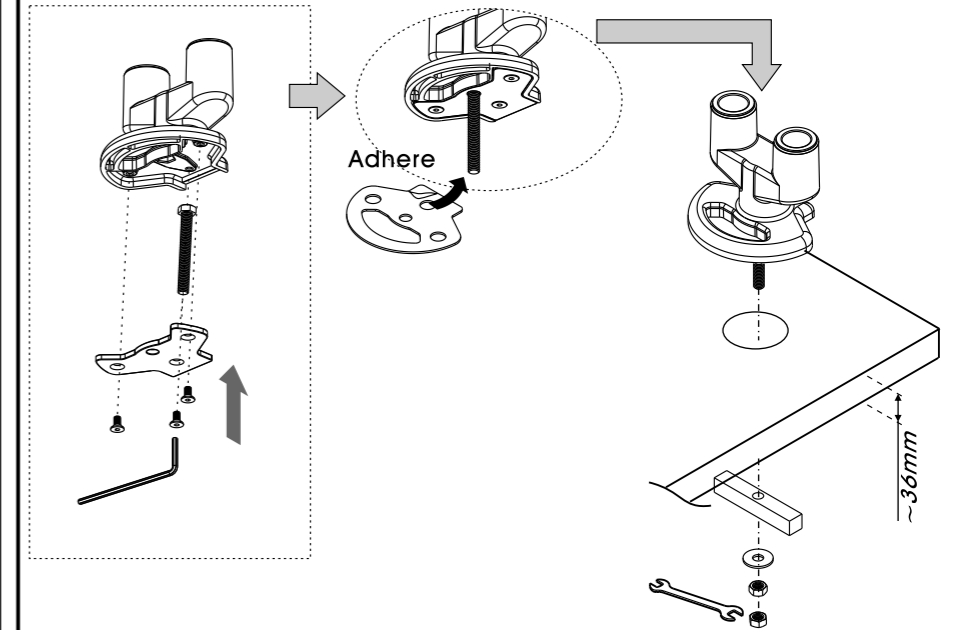
Note:
Do not lose the screws as they will be used to attach the grommet mount.



"Grommet" assembly step(1-2)

Place the small metal grommet mount plate on the bottom of the arm, then adhere the pad to protect the surface of the desk. Attach the arm to the desk by positioning over the grommet hole. The bolt should be visible under the desk.

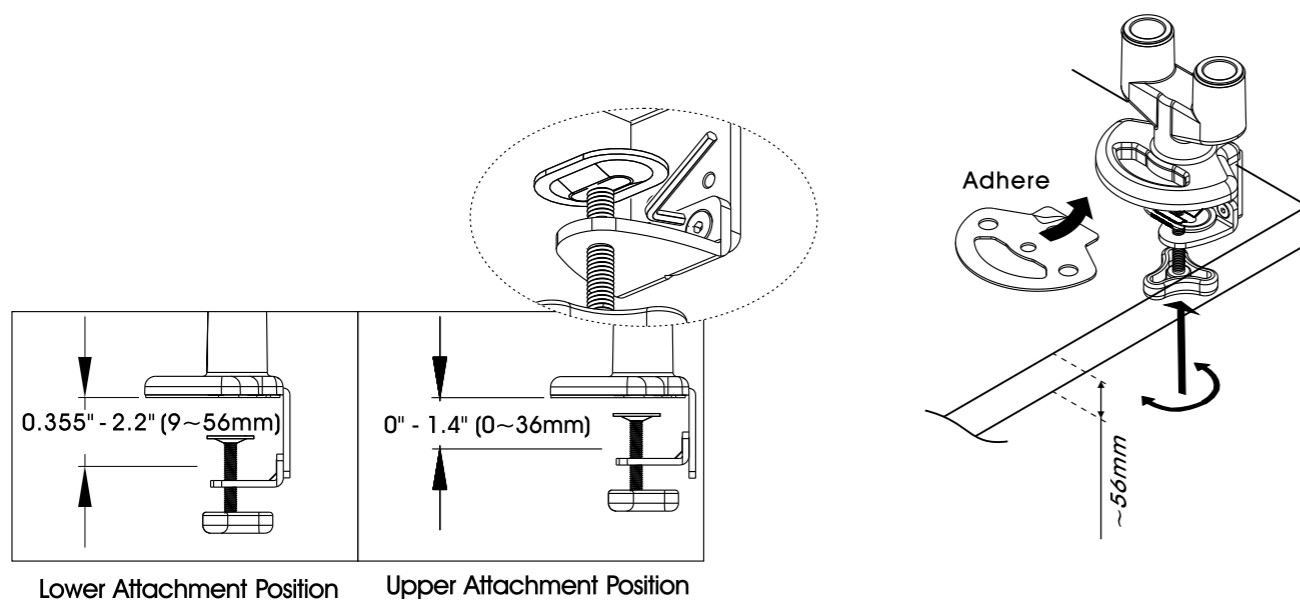
Secure the arm using the remaining parts as shown below. Grommet hole diameter should be between .78" - 2".



Step 1

"Clamp" Assembly

Adhere the pad to the base of the clamp.
Fits desk thicknesses ~ 2.2" (~56mm), then clamp the arm to the desk.

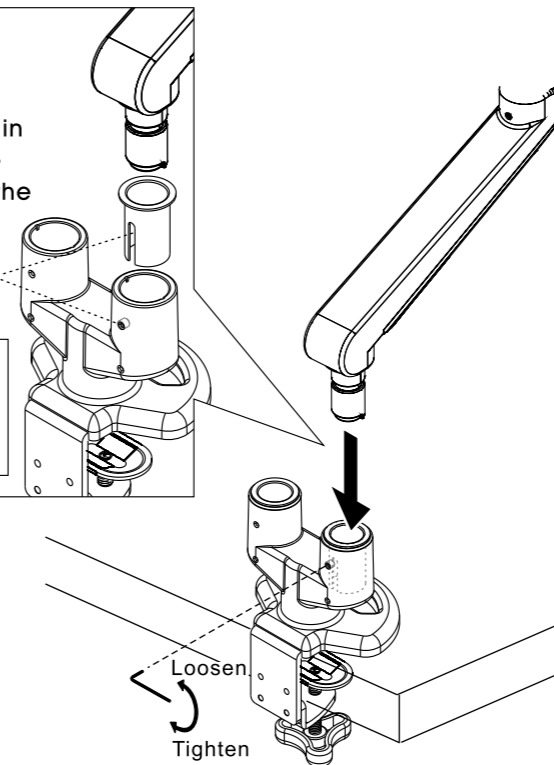


Step 2

Insert arm portion into clamp and tighten using 2mm allen key. Loosen screw by one full turn to allow arm to swivel.

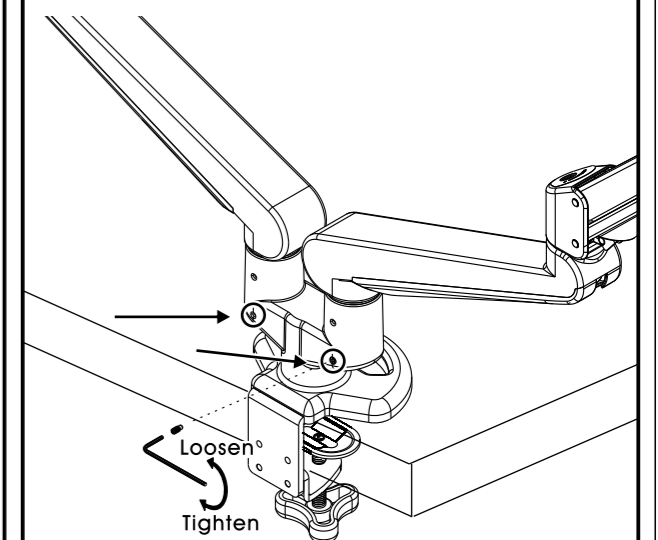
Caution:
Before tightening the screw please make sure the slit in the plastic sleeve matches up with the screw location inside the mount.

Insert to another hole if not fitting well.



180° Lock-Out Feature

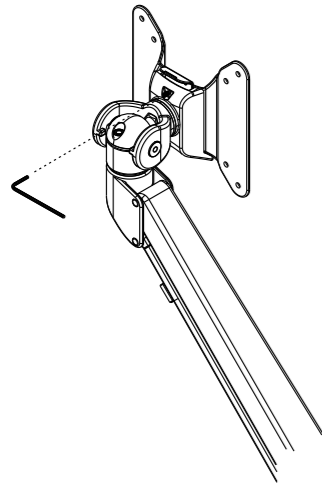
To achieve 180° Lock-Out function, fasten extra set screws with 2mm Allen Key to the bottom set of holes at the base of each arm. Fully tighten the screws then turn backwards one full turn.



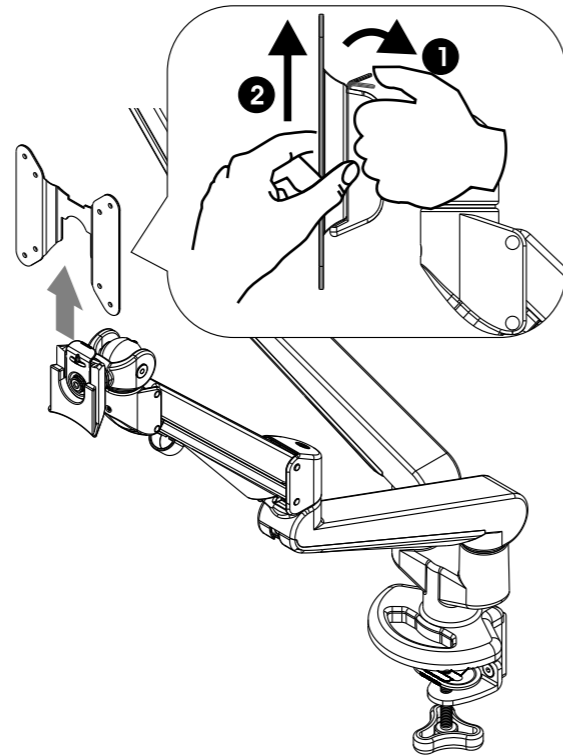
CMS2091 / CMS2092

Step 3

Use 2mm Allen Key to loosen the grub screw.

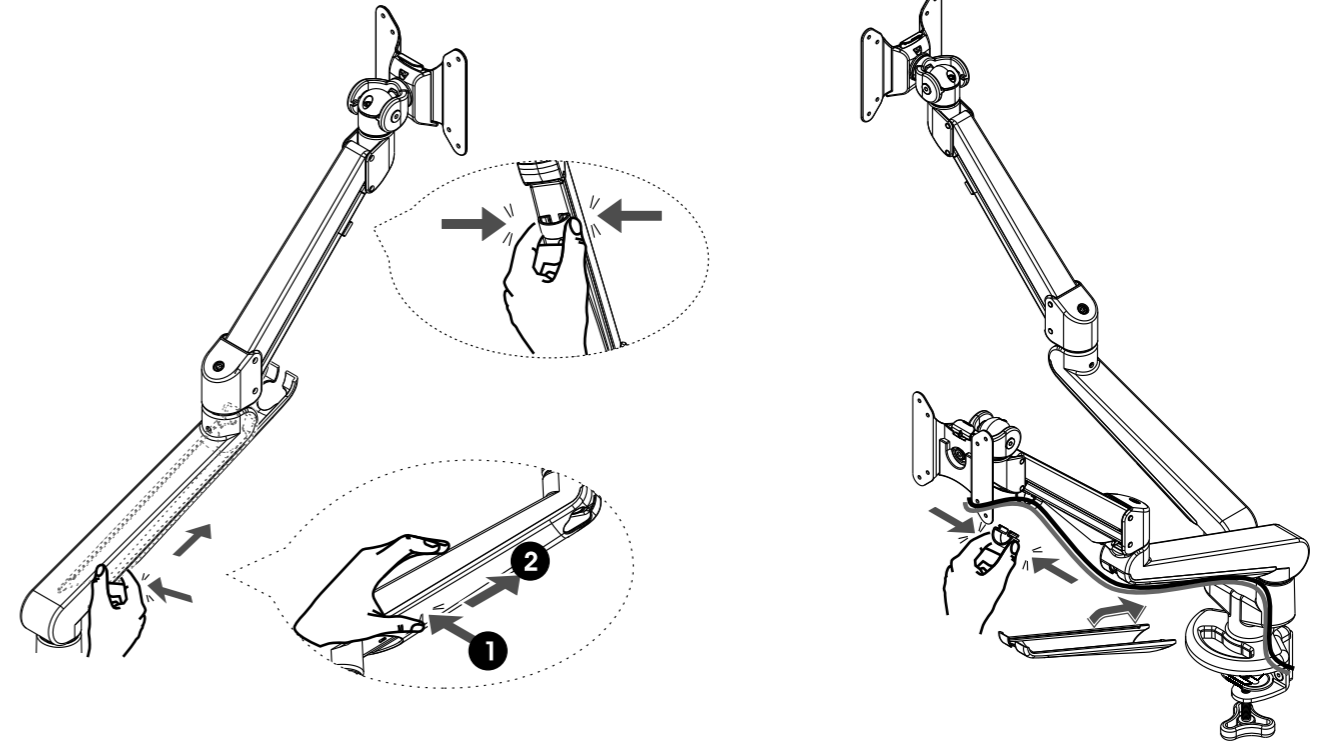


Remove the VESA plate by pinching the grey plastic tab to release the lock, then pull the plate upward to separate from the arm.



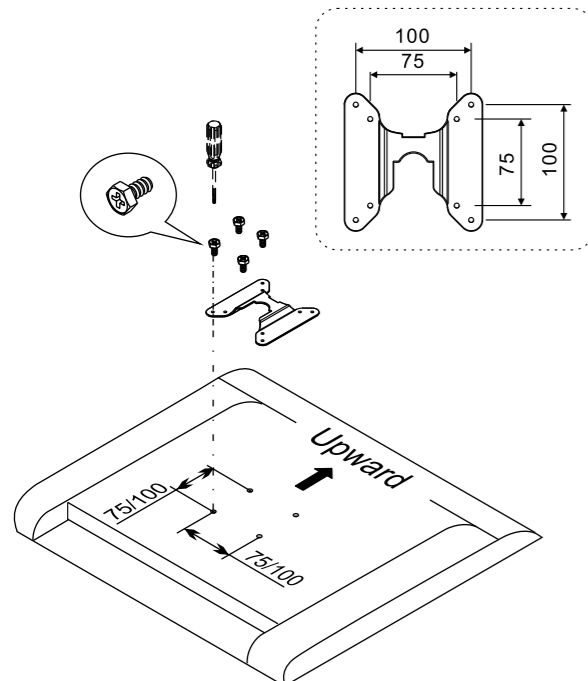
Step 6

Slide the cable cover upward to allow room for cables to be placed inside. Route cables under arm then slide the cover back on.



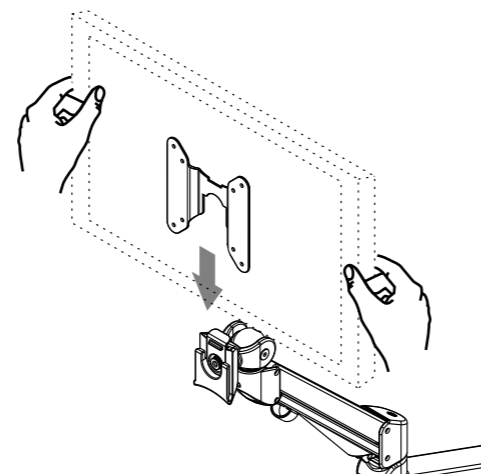
Step 4

Place LCD monitor face down on a flat surface. Align the VESA plate holes with the holes on the back of the monitor and attach using the screws provided (shown below).

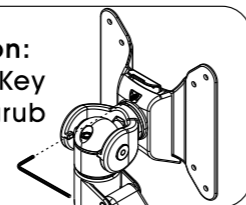


Step 5

Slide the monitor (with VESA plate) onto the arm making sure it "clicks" securely into place.

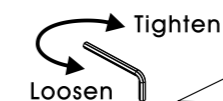


Theft prevention:
Use 2mm Allen Key to tighten the grub screw.



Tension Adjustment

Caution:
Support arm while adjusting tension.



Adjustment:
Use the Allen key provided to adjust the tension to correspond to the weight of the monitor. Twist the Allen key in a clockwise direction for heavier monitors; counterclockwise for lighter monitors.

Adjustment:
Use the Allen key provided to adjust the tension to correspond to the weight of the monitor. Twist the Allen key in a clockwise direction for lighter monitors; counterclockwise for heavier monitors.

Weight Capacity:(single Arm)

6.6 ~ 17.6 lbs (3~8kg)

●Products loading capacities are based on monitors' center of gravity less than 3cm from the end of the VESA interface.

Loading capacity could be reduced if monitor size of greater than 26 inches or depth of greater than 5.5cm.

●All products specifications in catalogues are subject to change without notice.

